

## Ambra 120 Base

### Features





- Vanity Base Unit
- Available in 4 Finishes: Glossy White, Nordic Oak, Anthracite, and Samara Ash
- Wall-hung design offers a clean, streamlined look
- Two soft close drawers with hidden parcel extraction runners and organizer in upper drawer
- Two soft close doors with 105 degree opening capability for easy cabinet access
- Fully assembled structure and front made of engineered wood in wood finishes and high gloss lacquered
- Handle integrated in front of furniture
- Does not include vanity top or sink
- Made in Spain




### SKU# | Options

- Ambra 120 NO Base | Nordic Oak
- Ambra 120 SA Base | Samara Ash
- Ambra 120 WG Base | Glossy White
- Ambra 120 AN Base | Anthracite

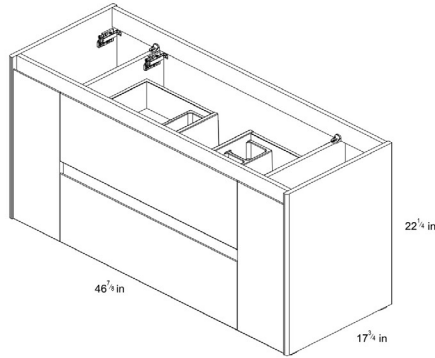
### Finishes

-  Nordic Oak
-  Samara Ash
-  Glossy White
-  Anthracite

\* WS Bath Collections reserves the right to revise dimensions or information on this sheet without notice

<b>Collection</b> Ambra	<b>Model  </b> Ambra 120 Base	<b>Dimensions Metric</b> <i>1 inch = 2.54 cm</i> <i>1 inch = 25.4 mm</i>	 1051 Lea Drive - Collegeville, PA 19426 Tel. 215 513 9400 - Fax 610 831 0215 <a href="http://www.ws bathcollections.com">www.ws bathcollections.com</a> - <a href="mailto:info@ws bathcollectins.com">info@ws bathcollectins.com</a>
----------------------------	----------------------------------	--	---

*Technical features*



**AMBRA**  
1 Door / 2 Drawers / 1 Door

- Nordic Oak
- Samara Ash
- Gloss White
- Anthracite

*Technical information*

- STRUCTURE**    MDF board in 58 in. continous wrapping in 2D/ Cyclum Process.
- FRONT**        MDF board in 58 in. continous wrapping in 2D/ Cyclum Process.
- HANDLE**        Integrated in the front of the furniture.
- DRAWER**        Drawers made in mokka textile poly laminate coated board with hidden parcial extraction runners with soft close system. Includes organizer in upper drawer. Lower drawer useful space (widthxhighxdepth): 20<sup>7/16</sup> x 4<sup>5/16</sup> x 12<sup>2/4</sup> in.
- WALL HANGING BRACKET**    Hidden hanging bracket of directly assembled with great resistance and depth regulations.
- HINGE**          105° opening, 1<sup>3/8</sup> in. cap, easy assembly and soft close system.
- LEGS**            Metallic in bright chrome finish. (optional)
- PIPE DEPTH**     Pipe depth 2<sup>1/4</sup> in.

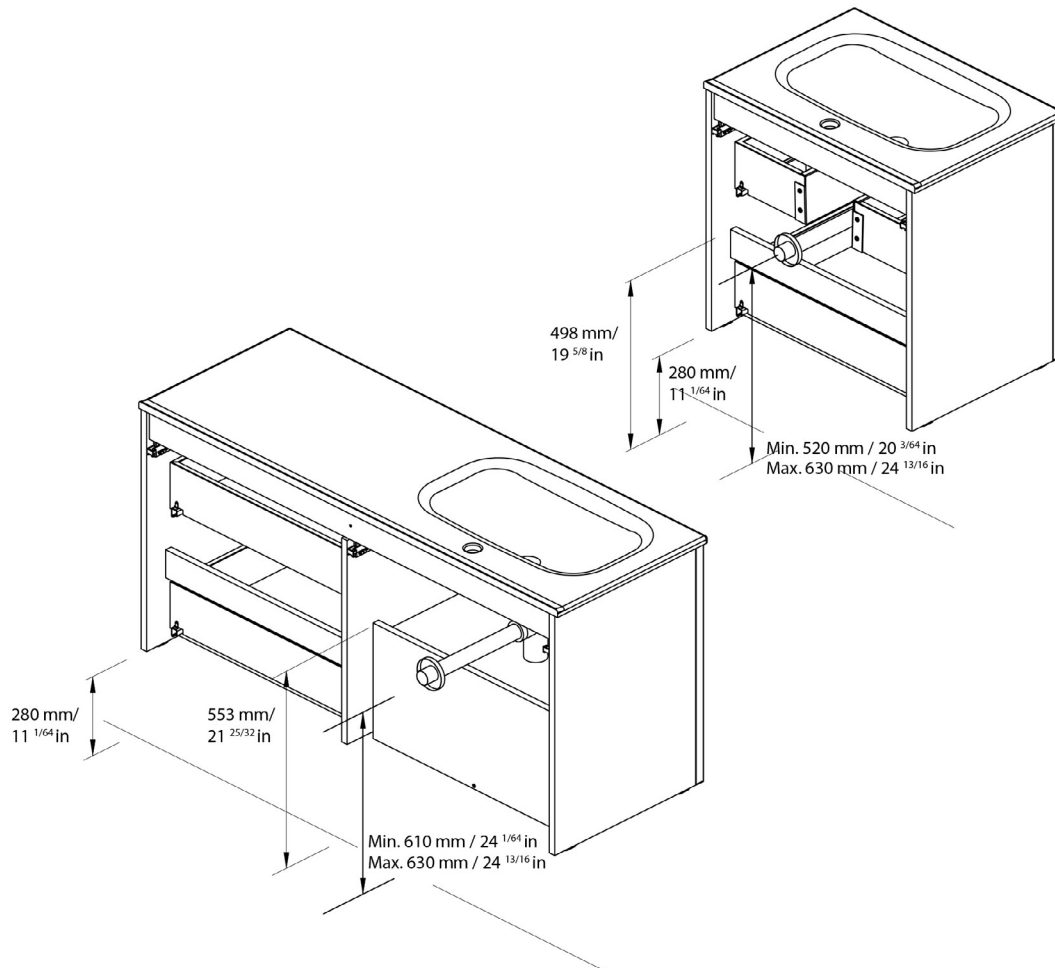
**Collection**  
Ambra

**Model |**  
Ambra 120 Base

**Dimensions Metric**  
*1 inch = 2.54 cm*  
*1 inch = 25.4 mm*



1051 Lea Drive - Collegeville, PA 19426  
Tel. 215 513 9400 - Fax 610 831 0215  
[www.ws bathcollections.com](http://www.ws bathcollections.com) - [info@ws bathcollectins.com](mailto:info@ws bathcollectins.com)



ES

EN

Las cotas indicadas en los dibujos son en función de la altura de la pata del conjunto, en caso de que el mueble vaya suspendido y esta altura no se respete, dichas cotas también variarán.

Dimensions indicated in the drawing are based on the level of the whole leg, in case of wall hanging the furniture dimensions also may vary.

**Collection**  
Ambra

**Model** |  
Ambra 120 Base

Dimensions Metric

1 inch = 2.54 cm

1 inch = 25.4 mm

**WS**®  
**BATH**  
**COLLECTIONS**

1051 Lea Drive - Collegeville, PA 19426  
Tel. 215 513 9400 - Fax 610 831 0215

[www.ws bathcollections.com](http://www.ws bathcollections.com) - [info@ws bathcollectins.com](mailto:info@ws bathcollectins.com)